

**VANK**

---

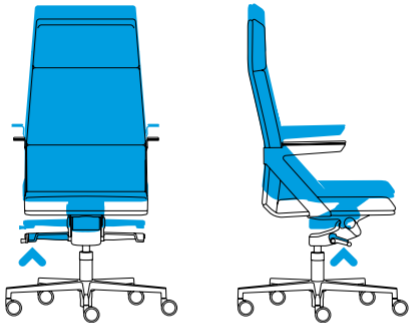
**FIL**

USER  
GUIDE

THANK  
YOU

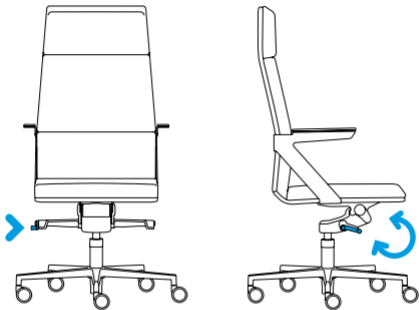
**VANK\_FIL** FEATURES AN ERGONOMIC CUSHION THAT REDUCES THE PRESSURE ON THE THIGH MUSCLES AND PREVENTS LEGS FROM BECOMING NUMB, OFFERING A SUPREME LEVEL OF COMFORT TO ITS USER. THE TALL BACKREST AND THE FIXED ARMRESTS, MADE OF BENT STEEL SHEETS, MAKE IT AN ARMCHAIR THAT IS TRULY ONE OF A KIND IN TERMS OF STYLE.

WE HOPE YOU HAVE A GREAT EXPERIENCE USING YOUR **VANK\_FIL** SWIVEL CHAIR.



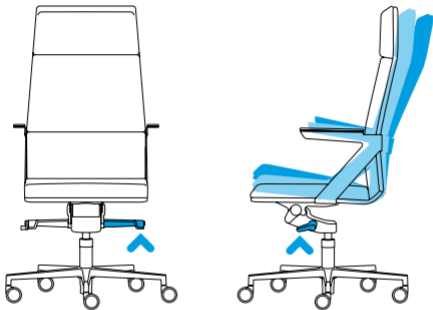
## SEATING HEIGHT ADJUSTMENT

LIFT THE LEVER PLACED ON THE RIGHT SIDE BELOW THE SEAT BEHIND THE HAND-KNOB AND SET THE DESIRED SEATING HEIGHT.



### **BACKREST PRESSURE ADJUSTMENT**

USE THE HAND-KNOB ON THE RIGHT SIDE TO ADJUST THE BACKREST PRESSURE AND THE TILT MECHANISM TO YOUR BODY WEIGHT. PULL THE CRANK HANDLE OUTSIDE TO MAKE THE ADJUSTMENT PROCESS EASIER. TURN THE CRANK FORWARD TO INCREASE THE RESISTANCE OF THE BACKREST; TURN THE CRANK BACKWARD TO REDUCE IT.



### **ADJUSTING AND LOCKING THE BACKREST INCLINATION ANGLE**

LOWER THE LEVER PLACED ON THE LEFT SIDE BELOW THE SEAT AND PUSH THE BACKREST WITH YOUR BACK.

RELEASING THE LEVER WILL ACTIVATE THE ROCKING MECHANISM.

PULL THE LEVER UP TO LOCK THE CHAIR IN THE DESIRED POSITION.



# NOTICE

PLEASE USE THE CHAIR AS INTENDED AND WITH DUE CARE. IF THE CHAIR IS USED NOT AS INTENDED, E.G. IF SOMEBODY STANDS ON THE SEAT OR SITS ON THE ARMRESTS, IT MAY LEAD TO AN ACCIDENT. MODIFICATIONS AND STRUCTURAL ALTERATIONS INTRODUCED WITHOUT THE KNOWLEDGE AND AGAINST THE INSTRUCTIONS OF THE MANUFACTURER MAKE THE WARRANTY INVALID. THE MANUFACTURER BEARS NO LIABILITY FOR ANY CHAIR DEFECTS CAUSED BY INAPPROPRIATE USE OF THE CHAIR, SOILING/STAINING, MECHANICAL/THERMAL/CHEMICAL DAMAGE OR ANY OTHER DAMAGE CAUSED BY THIRD PARTIES OR FORCE MAJEURE. ANY REPAIRS MAY BE PERFORMED BY QUALIFIED STAFF ONLY.



# MAINTENANCE

CHAIRS NEED TO BE CLEANED ON A REGULAR BASIS AND KEPT AWAY FROM DIRECT EXPOSURE TO WATER. METAL ELEMENTS SHOULD BE WIPED USING A SOFT DRY CLOTH. IT IS NOT PERMITTED TO PERFORM MAINTENANCE OF PLASTIC ELEMENTS USING SOLVENTS. UPHOLSTERIES SHOULD BE WIPED SYSTEMATICALLY USING A SLIGHTLY WET AND SOFT CLOTH, OR SPECIAL SENSITIVE UPHOLSTERY CLEANING AGENTS. LEATHER UPHOLSTERY NEEDS TO BE MAINTAINED ON A REGULAR BASIS USING SPECIAL CONDITIONING AGENTS FOR LEATHER.

IN ORDER TO MAINTAIN CASTORS (WHEELS) IN GOOD WORKING ORDER, IT IS NECESSARY TO WIPE THEIR SURFACE WITH A SLIGHTLY WET CLOTH TO REMOVE ANY GRAINS OF SAND, DUST, ETC.

# STANDARDS

VANK CARES ABOUT THE QUALITY, THE CONDITIONS,  
AND THE SAFETY OF WORK, WHICH IS REFLECTED IN THE  
IMPLEMENTATION AND APPLICATION OF AN INTEGRATED  
MANAGEMENT SYSTEM ACCORDING TO ISO 9001, ISO 14001,  
ISO 45001.

**VANK\_FIL** MEETS THE RELEVANT STANDARDS OF SAFE USE.



**VANK**

ŁOWĘCIN, UL. SARBINOWSKA 11  
PL-62-020 SWARZĘDZ

**[www.vank.pl](http://www.vank.pl)**

**[export@vank.pl](mailto:export@vank.pl)**

**[serwis@vank.pl](mailto:serwis@vank.pl)**